

Gazelle

par **duarib**



Product description:

Plate-forme individuelle roulante légère
 "PIRL" (Lightweight rolling individual platform)
 compliant with **norm NF P 93-353** .
 Single operator use.
 Independent adjustment of the 4 feet
 Secured access.

Loading conditions:

Maximum allowed load: 150 Kg
 Max horizontal force: 30 Kg
 Shelf maximum load: 30 Kg

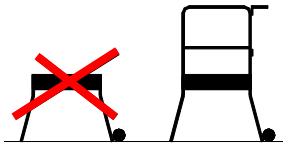


User manual according to NF EN 1298
 (non contractual schematic)

Specifications	Gazelle (2 steps) 40041	Gazelle mini (1 step) 40052
Floor height (m)	0,65 - 0,81 - 0,89 - 1,00	0,47 - 0,59 - 0,70
Max ground size, stabilizers retracted (m)	L. 1,50 w. 0,68	L. 1.35 w. 0.61
Max ground size, stabilizers deployed (m)	L. 1,50 w. 0.99	L. 1.35 w. 0.61
Folded dimensions (m)	L. 1,08 w. 0,68 H. 0,40	L. 1,08 w. 0,68 H. 0,40
Adjustment on each support (m)	0,16 - 0,24 - 0,33	0,07 - 0,24
Weight (kg)	27,8	25,4

Safety measures

- Each operation must be followed according to labour legislation, current regulations and an operator that has read the content of this manual. No certification is required. You can opt for an internal formation. Each operation must be duly followed according to the order of the sequences described in the user guide.
- Only use DUARIB-made parts referenced in the nomenclature and that are in good condition.
- For any use not described in the user guide, please contact the manufacturer.
- Respect the assembly and disassembly order described in this user guide to the letter.
- Before accessing the platform, clear the space around it and deploy the stabilizers according to the model.
- The surfaces on which the platform is set must be flat, horizontal and nonslip (forgoing one of these conditions can lead to severe accidents).
- It is essential the platform is set on its 4 supports.
- Always access and leave while facing the platform.
- Do not set any ladder or any other accessory on the floor to raise the work height.
- Do not jump on the floor.
- For any operation, wearing **Personal Protective Equipment** is mandatory.
- Always use the platform with its safety rails.



Maintenance and servicing:

Before any operation, you must check the elements to see if any could be defective. Points to check:

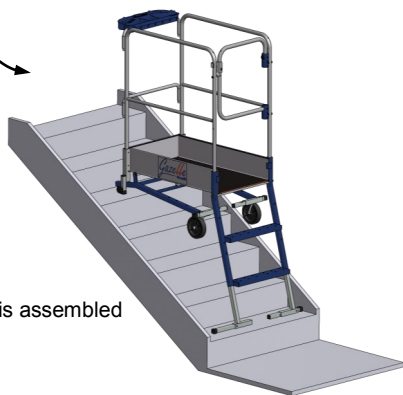
- Check the state of welded and bolted structures, the geometry of the elements.
- Check the supports, wheels and stabilizers, according to the model, work properly.
- Check the good condition of the plywood.
- Check stickers can be easily read.
- Check locks and moving elements work properly.
- Check the product can be properly opened and closed
- Check all the elements listed in this user manual are present.
- If need be and if in doubt, replace the faulty part with a DUARIB-made replacement.
- A control sheet to use before any assembly is provided at the end of this user

Gazelle (2 steps)
Reference 40041

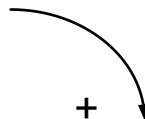


Low height staircase
option
Ref. PR12050

=



Option is assembled



High height staircase
option
Ref. 40059

=



Option is assembled

Gazelle mini (1 step)
Reference 40052



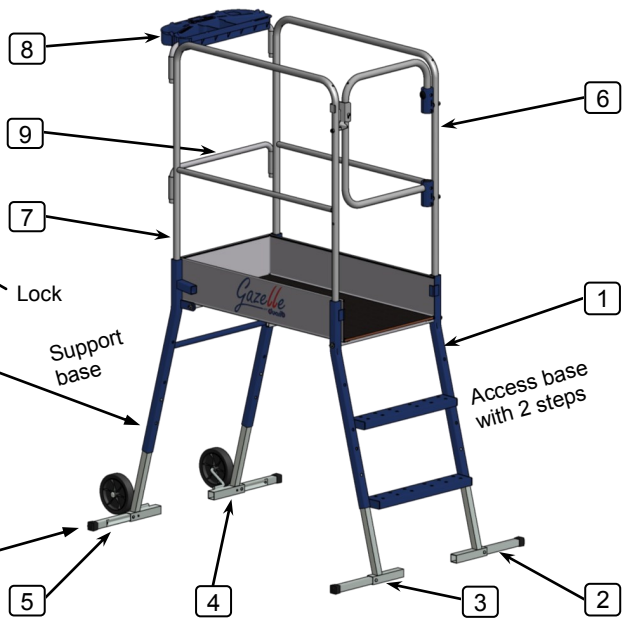
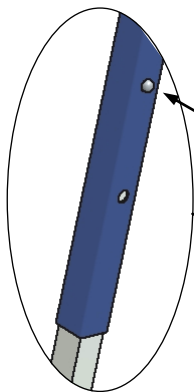
**No staircase option for
Gazelle mini.**

Elements checking

Mark	Elements list Gazelle - 40041	Weight in kg
1	Floor and bases (2 steps)	12,5
2	Right support of the access side	1,1
3	Left support of the access side	1,1
4	Right support of the supporting plan	1,7
5	Left support of the supporting plan	1,7
6	Right safety rail with side door	5,4
7	Left safety rail without side door	3,1
8	Safety rail/shelf	1,0
9	Safety handrail	0,2

40041 - Gazelle

The feet's locks must be facing the inside of the platform.



Deployed stabilizers facing the sides.

PR12050 – Low height staircase option for Gazelle 40041

Description:

- Feet allowing assembly in a staircase
- Difference in level between 0.49 and 0.82m
- Floor height in comparison to upper support 0.16m
- Consists of 2 elements.
- Tool-free installation



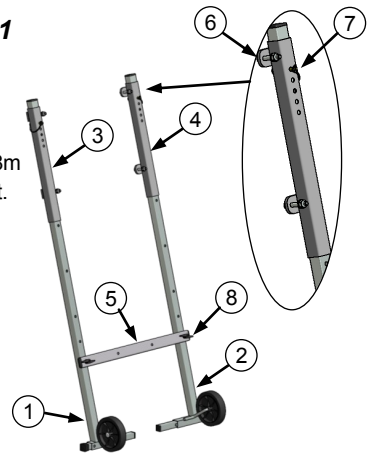
40059 - High height staircase option for Gazelle 40041

Description:

- Preassembled structure allowing assembly in a staircase
- Possible difference in level of 1m max
- Floor height in comparison to the upper support from 0.65 to 0.98m
- Consists of 2 adjustable supports, 2 sheaths and 1 reinforcement.
- Set up requires 2 17 wrenches for the M10 bolts
- Tighten the bolts without deforming the sides of the tubes

Components checking:

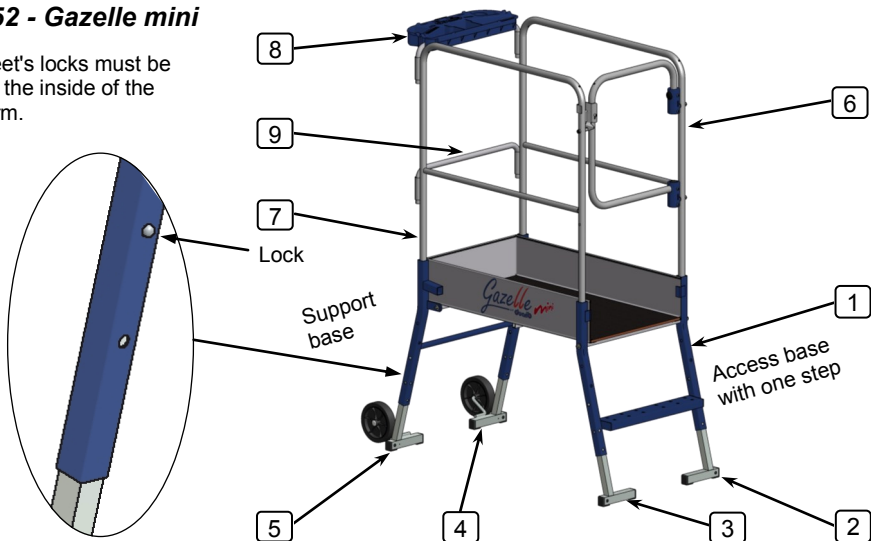
- Complete right support (1) and complete left support (2)
- Right leg (3) and left (4) with nut-and-bolt (6)
- Reinforcement (5) with nut-and-bolt (8)
- Pin (7)



Mark	Elements list Gazelle mini - 40052	Weight in kg
1	Floor and bases (1 step)	10,7
2	Right support of the access side	1,0
3	Left support of the access side	1,0
4	Right support of the supporting plan	1,5
5	Left support of the supporting plan	1,5
6	Right safety rail with side door	5,4
7	Left safety rail without side door	3,1
8	Safety rail/shelf	1,0
9	Safety handrail	0,2

40052 - Gazelle mini

The feet's locks must be facing the inside of the platform.



Assembly instructions for Gazelle 40041 and Gazelle mini 40052

1 **1** Open the bases, platform on the side.
2 Insert the supports by pushing on the locks.

Note: All 4 supports are different and must be installed as showed on the previous pages

2 Push the locks at each hole to move the supports until they stop.

3 Lift the platform back up.

4 Insert the safety rails until they stop, side door on the right.

5 Insert the shelf 1m away from the floor and the handrail at 0.5m.

6 You can switch the shelf and the handrail.
 Both elements must be assembled. They are safety measures.

7 Set the floor height.
 Press the lock on each support to slide it, thus setting it to the floor height.
 Check that the locks are set.
 Once you have set it, the platform must be on a level.

8 Push the locks at each support to deploy the 4 independent stabilizers for every floor heights.

If the platform is set against a wall, you do not have to deploy the stabilizers facing the wall.

No stabilizers on the Gazelle mini 40052.

Disassembly :
 Respect the opposite the assembly steps.

Accessing the platform

D040207A

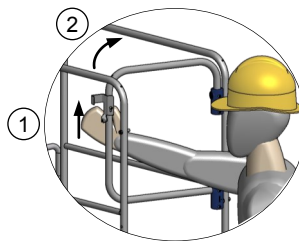
① Lift the lock of the side door.

② Open it towards the inside of the platform.

Once on the platform, the side door automatically closes.
Check the lock is set.

Follow the same steps to go down.

Always access and leave while facing the platform.



Gazelle 40041



Gazelle mini 40052



Gazelle with low height staircase option PR12050



Gazelle with high height staircase option 40059



Installing the low height staircase option PR12050

1 Only for Gazelle 40041

2 Remove handrails, shelf and safety rails

3 ① Shut the support base against the floor.
② Deploy the legs of the access base to maximum.

4 Set the PR12050 option by holding the base against the floor.
Be careful, the elements have a direction, the flat part is set against the toe-board.

Flat parts are set against the toe-board

① Pull the lock.
② Insert until it stops.
③ Release the lock.

5 Install the platform in the staircase. Adjust the legs if need be (according to the difference in level).

6 Insert the safety rails until they stop, side door on the right.

7 Insert shelf and handrails until they stop.

8 Deploy stabilizers on the access base side.
You do not have to deploy the stabilizer when facing a wall.

Disassembly:
Respect the opposite steps of the assembly

1 Only for Gazelle 40041

Kit delivered with nut-and-bolt without tools

2 Remove the legs on support base

3 Prepare the right and left legs and sheaths, stabilizers facing out.

4 Install the sheaths facing the bases' holes.

Bolt 4 times with 2 17 spanners.
One M10-60 screw (1) + two Ø10 washers (2) + one M10 locknut (3).
Tighten without deforming blue tubes.

5 Deploy the legs by pressing the pins.

Set the pins back in place.

6 Install the reinforcement.

Bolt 2 times without tools.
One M8-70 screw (1) + one Ø8 washer (2) + one M8 wingnut (3).
Tighten without deforming the tubes.

7 Install the platform in the staircase (or on difference on a level).

Set the platform on a level by adjusting the feet.

8 Deploy the stabilizers.

You do not have to deploy the stabilizers when facing a wall.

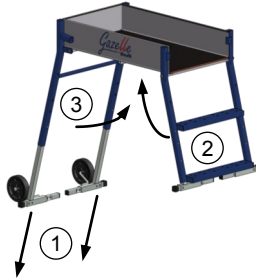
Disassembly :
Respect the opposite steps of the assembly.

Assembly steps for use as a "wheelbarrow"

- 1 Only for Gazelle 40041. Remove handrails, shelf and safety rails.



- 2
- 1 Deploy the legs on the wheel side to maximum.
 - 2 Retract the access base.
 - 3 Retract the supporting base.



- 6
- 1 Insert the safety rails until they stop, side door on the right.
 - 2 In the square tube.
 - 3 On the plywood.



- 7
- 1 Insert the handrail at 0.5m or 1m from the floor.
 - 2 Place the shelf on the floor, against the uprights of the safety rails.



- 8
- 1 Lift the platform from the opposite side of the wheels.
 - 2 Move the platform.



Disassembly :

Respect the opposite steps of the assembly.

Moving the platform: Lift the access base, the wheels now support the weight.

Gazelle 40052



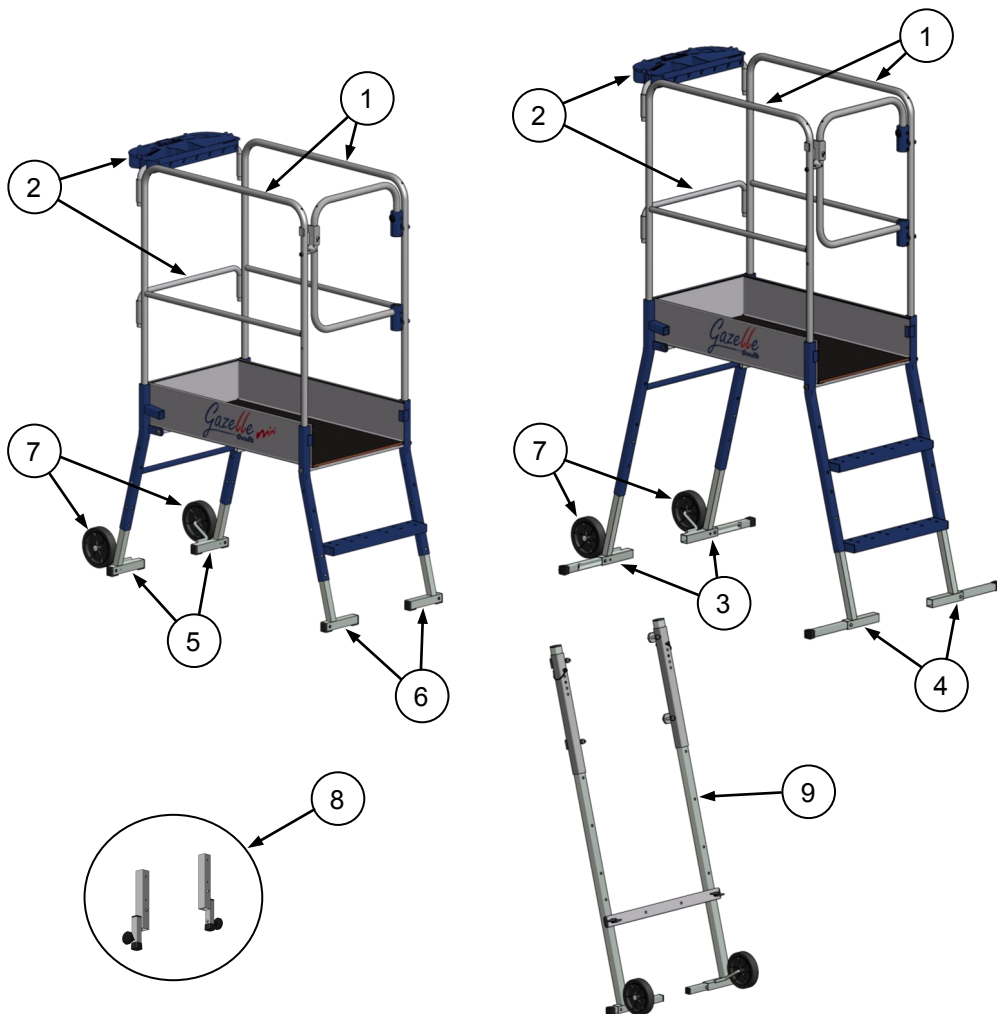
Gazelle 40041



*Gazelle 40041 w/
option 40059*



Ref.	Mark	Spare parts and options	Weight in kg
PR12051	1	2 lateral safety rails kit (1 with side door)	8.5
PR12052	2	Safety shelf/rail and handrail kit	1.2
PR20182	3	2 support bases with stabilizers and wheels batch	3.2
PR20183	4	2 access legs and stabilizers batch	2.4
PR12053	5	2 support legs with wheels for Gazelle mini batch	2.4
PR12054	6	2 access legs for Gazelle mini batch	1.3
18157	7	2 Ø150 mm wheels kit (with clamped hubcap)	0.8
PR12050	8	Low height staircase option (both legs)	1.7
40059	9	High height staircase option (full set with nut-and-bolt)	11.9



Pre-use control help sheet

DUARIB - CDH Group

Phone: +33 (0)2 40 78 97 22

Fax: +33 (0)2 40 78 78 71

Mail : welcome@duarib.fr

Website : www.duarib.fr



Date:

Worksite:

Hardware reference:

Identification N°:

Controller name:

Points to check before each use: (non exhaustive liste)

	Yes	No
Did you consult the user manual	<input type="checkbox"/>	<input type="checkbox"/>
Are the stickers readable	<input type="checkbox"/>	<input type="checkbox"/>
Are all the elements referenced in the user guide present and in good state	<input type="checkbox"/>	<input type="checkbox"/>
Are the elements in good state and without corrosion	<input type="checkbox"/>	<input type="checkbox"/>
Are the elements in good state without deformation	<input type="checkbox"/>	<input type="checkbox"/>
Are the soldered structures in good state	<input type="checkbox"/>	<input type="checkbox"/>
Are the bolted structures in good state	<input type="checkbox"/>	<input type="checkbox"/>
Does thee platform open and close well	<input type="checkbox"/>	<input type="checkbox"/>
Are the sliding elements working well	<input type="checkbox"/>	<input type="checkbox"/>
Are the base locks working well	<input type="checkbox"/>	<input type="checkbox"/>
Do the hinges and the lock of the side door work well	<input type="checkbox"/>	<input type="checkbox"/>
Are the wheels working well	<input type="checkbox"/>	<input type="checkbox"/>
Are the pads in good state	<input type="checkbox"/>	<input type="checkbox"/>
Is the anti-sliding plywood in good state and not perforated	<input type="checkbox"/>	<input type="checkbox"/>

Visa:

Conclusion:

	Yes	No
Is the platform usable	<input type="checkbox"/>	<input type="checkbox"/>

Notes:

.....

.....

.....